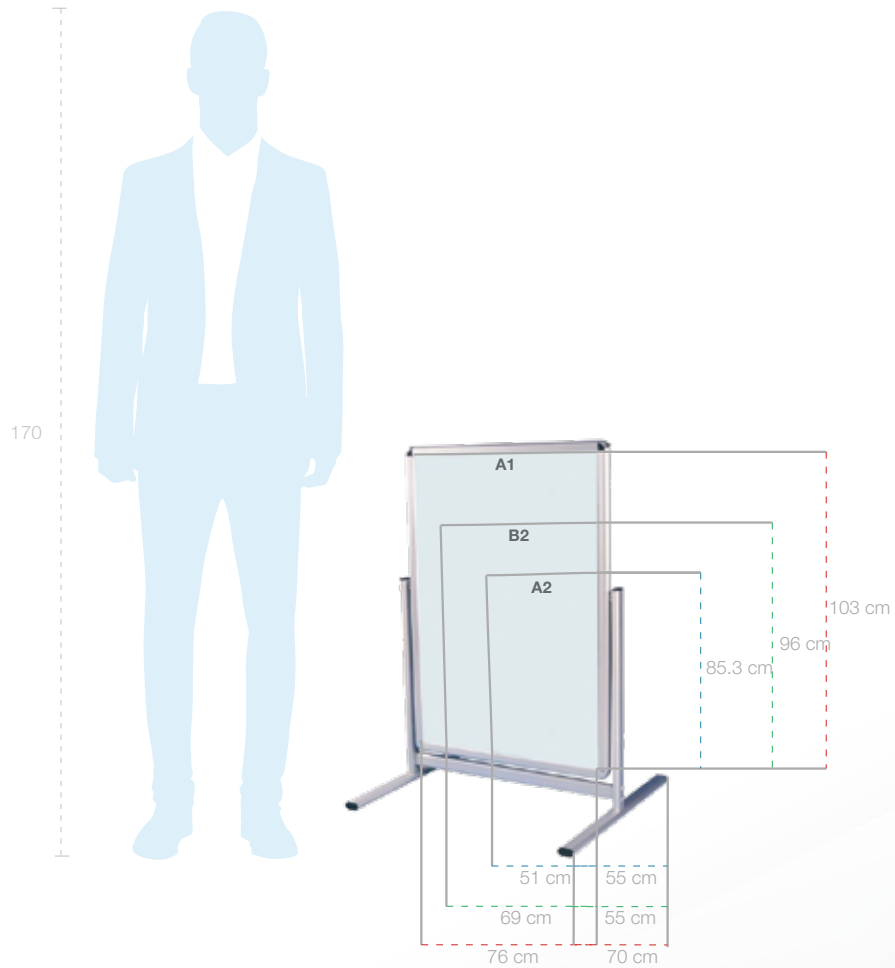


premiumline A-Board Outdoor Standard



premiumline A-Board Outdoor Standard

Size	Reference
A2, W: 51 x H: 85,3 x D: 55 cm	BS1301
A1, W: 76 x H: 103 x D: 70 cm	BS1302
B2, W: 69 x H: 96 x D: 55 cm	BS1303

Better



double
sided



water
proof

- Our outside advertising displays are 100% waterproof;
- The sturdy stands provide stability in windy conditions;
- Clamping profile technology for a safe and quick exchange of documents and posters on both sides;
- Silver anodised aluminium frame;
- PVC sheet to protect contents with UV-filter;

FRANKEN - Made for Teamwork. The number one brand in Germany!

About FRANKEN's **premiumline**

A professional solution that stands for high quality and long lasting products.

A wide range of sturdy products, designed for intensive use.